



A TIME AND PLACE *for everything*™

TW255 FORMS APP - Paperless Data Collection for Mining sites

The Sprite™ TW255 is a software APP for Motorola MOTOTRBO™ portable and mobile radios*, providing an effective tool for collecting in field data. TW255 software APP provides users with the ability to fill in FORMS data directly into a MOTOTRBO™ radio and send to Tallysman's Fleet Management System (FMS).

Many MSHA regulations require paper based form to be completed, e.g. Vehicles Daily Inspection Check-lists, and certificates of training forms. The Tallysman FORMS APP provides a paperless mean of collecting and managing this data.

Custom FORMS can be generated using Tallysman's Windows based FORMS Builder application and loaded into the MOTOTRBO™ radio.

Tallysman's Fleet Management System provides a complete system solution to manage field workers activities.



FEATURES... Benefits

- **IN FIELD DATA COLLECTION** ...TW255 FORMS APP installs on MOTOTRBO™ expansion board
- **SUPPORTS:** XPR 4000, 5000, 6000 & 7000 series radios, as well as SL 7000 series
- **NO LOST FORMS INFORMATION** ... FORM messages are logged and positively acknowledged ensuring no loss of data
- **FORMS BUILDER**... Easy design of custom FORMS
- **FORMS**... All completed Forms are logged and retrievable Over The Air
- **TIMESTAMP** ... All activity reports
- **GPS TRACKING**... GPS tracking of workforce activities
- **REPORTS** Comprehensive FORM APP reports (export
- **SIMPLE INTEGRATION** ... to existing Host Systems

* MOTOTRBO™ Expansion Board: p/n QA01638 pre-installed in radio or PMLN5496AS Expansion Service Kit



TW255 FORMS APP - Paperless Data Collection for Mine sites

Typical System Configuration

Figure 1 shows a typical system configuration. FORMS data entered into the radio is sent over a MOTOTRBO™ radio system to the Tallysman Wireless Communications Portal (WCP). The WCP provides TCP/IP interface connection to Client applications such as Tallysman Dispatch client as well as 3rd party applications.

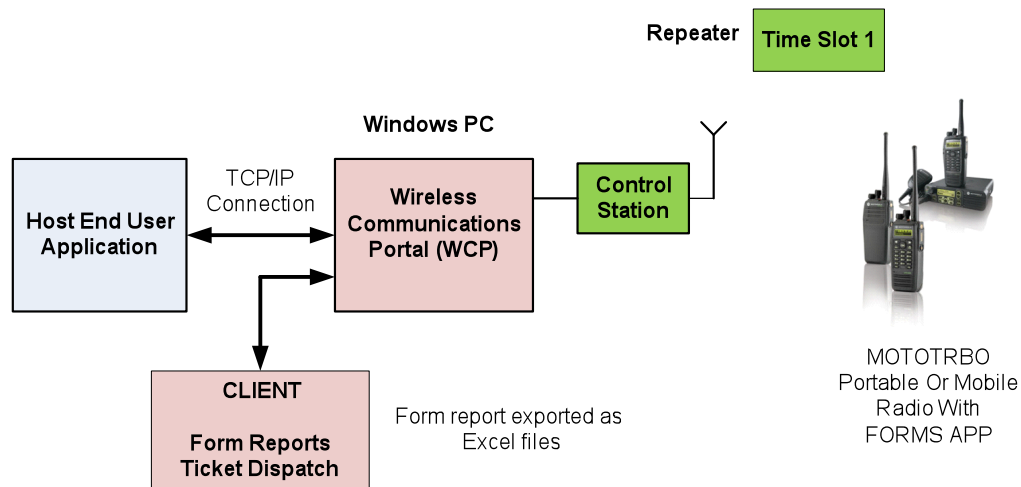


Figure 1

Ordering Information

- Sprite™ TW255 FORMS APP Software License 41-0005-0

Please contact Tallysman Wireless for additional information

Tallysman Wireless Inc

106 Schneider Road, Unit 3
Ottawa, ON K2K 1Y2 Canada
Tel 613 591 3131
Fax 613 591 3121
sales@tallysman.com

The information provided herein is intended as a guide only and is subject to change without notice. This document is not to be regarded as a guarantee of performance. Tallysman Wireless Inc. hereby disclaims any or all warranties and liabilities of any kind. © 2010 Tallysman Wireless Inc. All rights reserved.

MOTOROLA and the Stylized M logo are registered trade marks of Motorola in the U.S. Patent and Trademark Office.

Rev-1.0