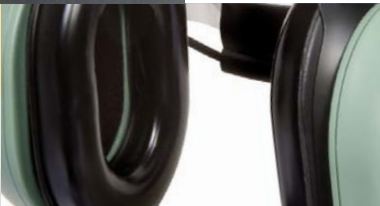




FIRE/EMS SERIES
WIRELESS HEADSET
COMMUNICATION SYSTEM



Hands-free mobility and clear communication in high-noise fire and emergency environments



(((WIRELESS)))



 **David
Clark**

WWW.DAVIDCLARK.COM

FIRE/EMS SERIES WIRELESS HEADSET COMMUNICATION SYSTEM

WIRELESS MOBILITY FOR FIRE/EMS

David Clark Company Wireless Headset Communication Systems provide maximum freedom and mobility as well as clear communication for fire apparatus and emergency vehicles. Crew members move about freely and easily without being tethered to a master station and there are no cords to snag or get tangled up on equipment. Communication is clear and safety is dramatically improved.



Weather-tight components including gateways and belt stations provide rugged durability. A variety of headset styles let users choose the perfect model to fit their application needs and personal comfort preferences.

Wireless systems are compatible for use with existing David Clark Company wired intercom systems and with most HF, VHF and UHF radios.

KEY FEATURES

- Crisp, clear communication in demanding environments
- Hands-free full duplex intercom – DECT based technology
- Rugged, durable construction – marine-grade components
- Secure signaling prevents unwanted interception
- Interfaces to all existing wired intercom systems
- Interfaces to most HF, VHF, and UHF radios
- Up to four users per gateway – expanded capability
- Range up to 300 feet (approx. 100m) from gateway

KEY COMPONENTS



BELT STATION
Used in all applications



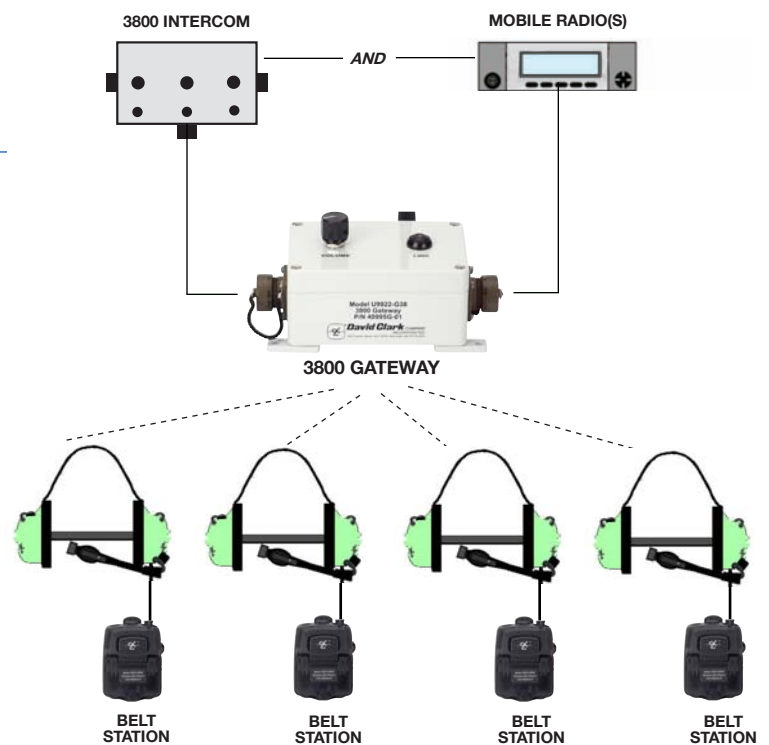
3800 GATEWAY
Provides wireless link to wired intercom



4-BAY BATTERY CHARGER

TYPICAL SYSTEM

- Up To Four Users Per Gateway
- Interfaces to Multiple Mobile Radios
- Seamless Integration to 3800 System
- Rechargeable Batteries (24 Hours)
- Local and Remote Antenna Options
- 4-Bay Charger Available



Compatible with existing David Clark Company wired intercom headset communication systems.

VARIETY OF HEADSET STYLES



Behind-the-head



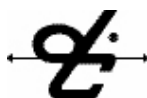
Over-the-head



Behind-the-head, slotted dome



Single ear



800.298.6235
WWW.DAVIDCLARK.COM



P/N 19540P-62 1/11